



# FTGMDC

## FT-8200

406MHz SATELLITE EPIRB

Emergency Position Indicating Radio Beacon

# GMDSS

### • Product Features •

- Highly improved searching area
- Accuracy in global distress alerting
- Built in GNSS receiver provide exact location
- Simply installation and easy operation
- Fully enclosed automatic float free housing and auto activated
- Safety alerting by manual activated
- False alert prevention
- Intelligent self test function
- Sound and light alerting
- Small size and lightweight
- 5 year battery life continuous operating up to 48 hours

Complies with C/S T.001 and C/S T.007  
IMO A662(16),A694(17),A810(19)  
IEC 61097-2,IEC 60945



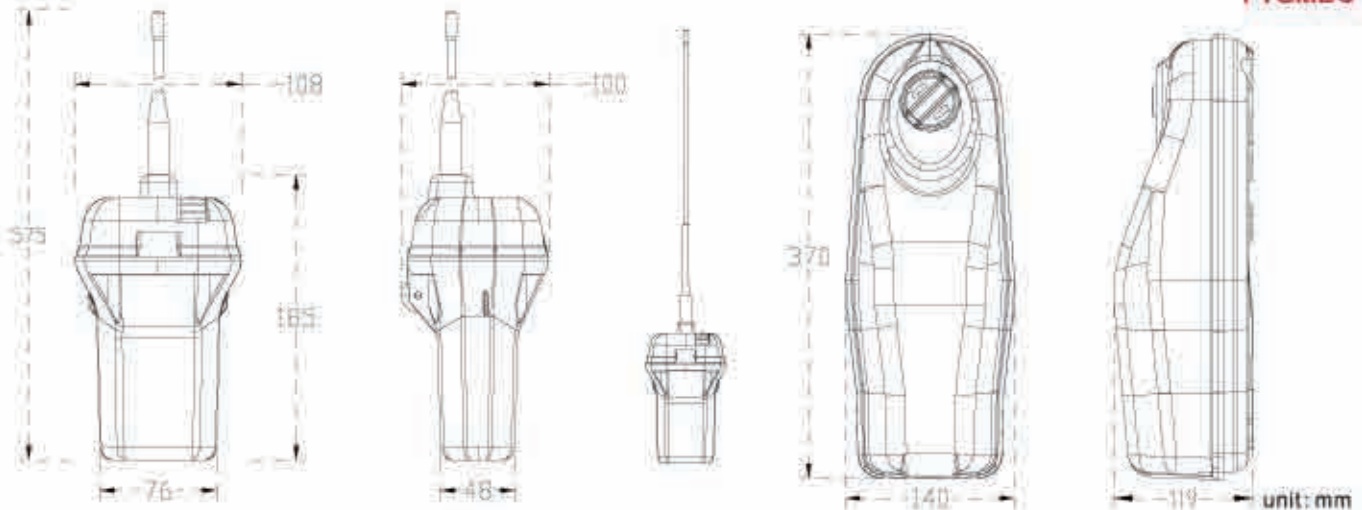
**Shishi Feitong Communication Equipment Co.,Ltd.**

[www.cnft168.com](http://www.cnft168.com)

# FT-8200 406MHz SATELLITE EPIRB Emergency Position Indicating Radio Beacon



## Dimension



## Description

The FT-8200 EPIRB is supplied with a full enclosed automatic float free housing which inside includes 2 transmitters and 1 GNSS Receiver. The beacon transmitting on the 406MHz frequency and 121.5MHz homing signal for searching and rescue. FT-8200 is fully compatible with the COSPAS-SARSAT and GMDSS regulation, and meets IMO requirements, it is safe and easy operation for rescue equipment in maritime. When vessel sinking, the FT-8200 will automatically release itself from its enclosure before it reaches a depth of 4 meters sea water. The FT-8200 will float on the water surface and start to operate when its water switch is activated or you can activate by manual when you are in life raft.

## Technical Specification

### Specification

Product Type : Class II  
 Operating Temperature : -20°C~+55°C  
 Storage Temperature : -30°C~+70°C  
 Battery Operating : 48 hours minimum  
 Battery Pack : Lithium primary battery(Li/SOCl<sub>2</sub>) ,expiry 5 years  
 Strobe Light : 24 times per minute (brightness > 0.75cd)  
 Waterproof Capability : tested to 10 min at 33ft. (10m)  
 Casing Material : ABS Plastic  
 Physical Size : W140 × D119 × H370mm  
 Total Weight : 1600g

### 121.5MHz Homing Transmitter

Operating Frequency : 121.5MHz ± 3kHz  
 Power Output : 17dBm ± 3dB  
 Modulation Type : AM (3K20A3X)  
 Modulation Duty Cycle : 33%~55%  
 Transmission Duty Cycle : 97% (continue transmitting)

### 406MHz Distress Transmitter

Operating Frequency : 406.040MHz ± 1kHz  
 Power Output : 5W ( 37dBm ) ± 2dB  
 Frequency Stability : short-term < 2 × 10<sup>-9</sup>/100ms  
 medium-term mean slope ± 1 × 10<sup>-9</sup>/min  
 Modulation Mode : BI phase L  
 Phase Deviation : 1.1rad ± 0.1rad  
 Transmission Time : long message 520ms ± 1%  
 short message 440ms ± 1%  
 Repetition Rate : 47.5s~52.5s

### GNSS Receiver

Receiver Type : 50 channel, L1-1575.42MHz, C/A code  
 Receiving Sensitivity : -162dBm (tracking), -148dBm (cold start)  
 Accuracy : ≤ 15 meter  
 Position Capture : ≤ 32s(cold start) ,2s(recapture)  
 Receiving Antenna : Ceramic patch

Note: Specifications are subject to be changed without notice.

### Manufacturer:

**Shishi Feitong Communication Equipment Co., Ltd.**

Address : Fujian Shishi City Yong Ning Zhen Faith Toward  
 Development Zone's Floor

TEL : 0595-88481988 88480988 88499888

FAX : 0595-88482988 <http://www.cnft168.com>

### Worldwide Sole Distributor & Agent (Exclude Mainland)

**E-Trust Marine Service Co., Ltd.**

Address : 19F-1, No.29, Hai Bian Rd., LingYa  
 District, Kaohsiung City 80248, Taiwan

TEL : +886-7-269-5523 FAX : +886-7-269-5592

<http://www.etrust-marine.com>

E-mail: [james.etrust@msa.hinet.net](mailto:james.etrust@msa.hinet.net)